

# TACT SWITCH

MECHANICAL CONTACT TYPE

4/6407 4/6408  
4/6422 4/6423 4/6424

4/6401 4/6409 4/6410  
4/6411 4/6414



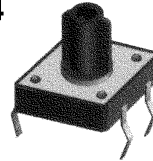
216



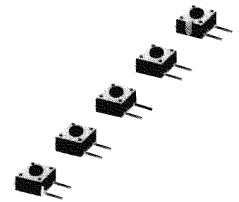
217



334



336

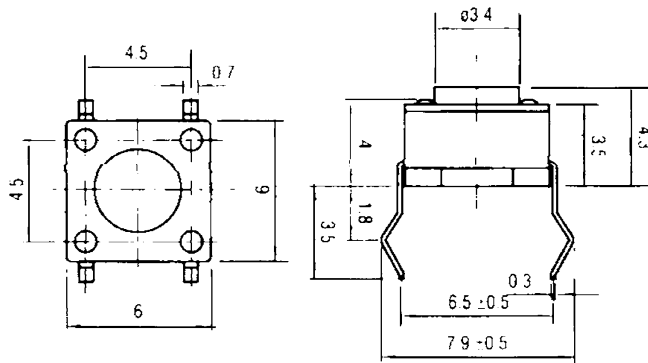
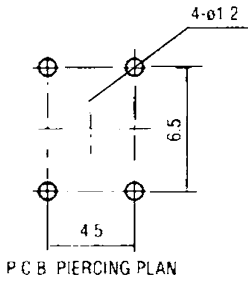


340

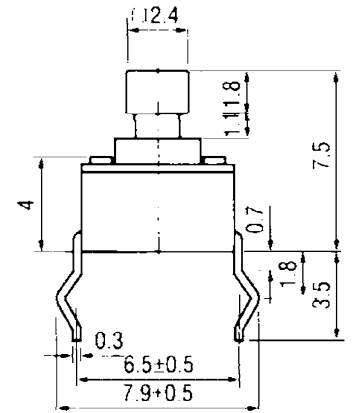
## TSA 216

Part No.	L
4/6422 TSA-064301-250	4.3
4/6423 TSA-065001-250	5.0
4/6424 TSA-067001-250	7.0

Part No.	L
4/6407 TSA-069501-250	9.5
4/6408 TSA-061501-250	15.0

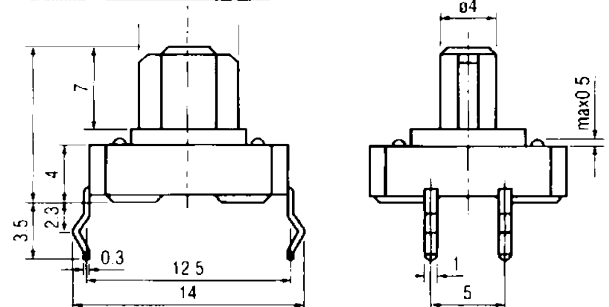
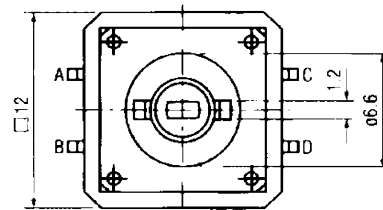
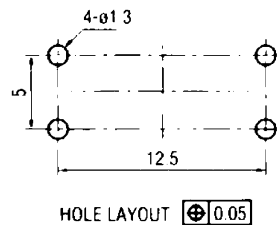
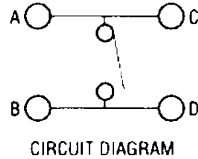


## TSA-067501-150

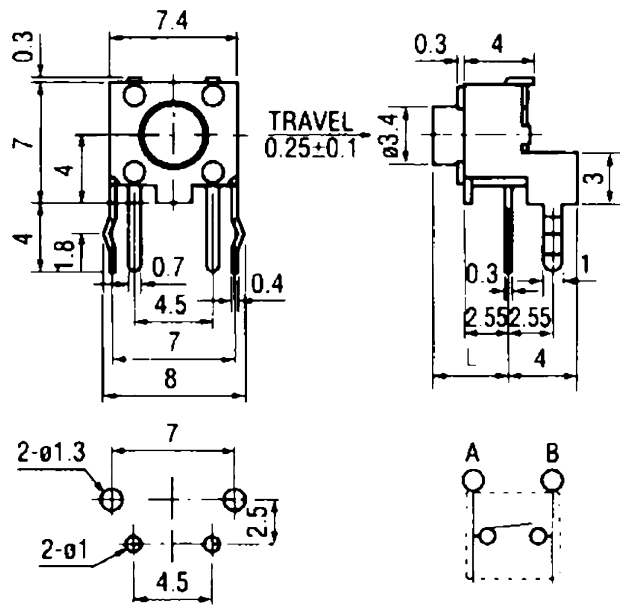


## TSG 336

Part No.	L
TSG-124301-150	4.3
TSG-127501-150	7.5
TSG-121201-150	12.0



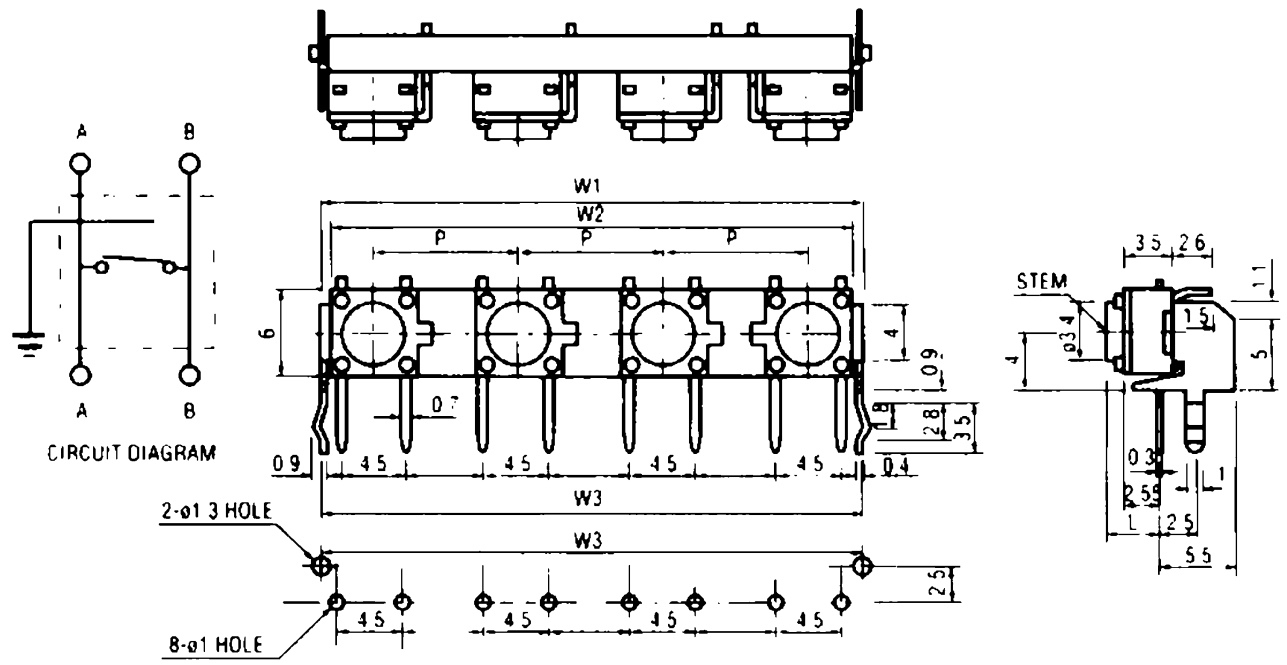
Part No.	L
4/6401 TSC-063103-150	3.15
4/6409 TSC-063803-150	3.85
4/6410 TSC-065803-150	5.85
4/6411 TSC-066803-150	6.85
4/6414 TSC-068303-150	8.35



HOLE LAYOUT  $\oplus 0.05$

CIRCUIT DIAGRAM

4 - Nos. of Switch, F1 - Frame Style



HOLE LAYOUT  $\oplus 0.05$