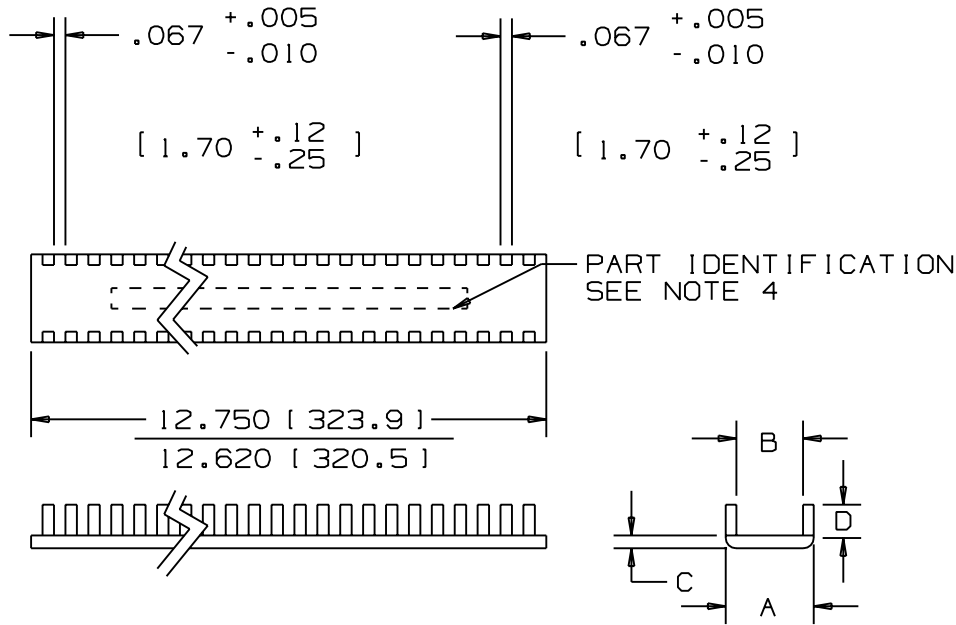


THIS COPY IS PROVIDED ON A RESTRICTED BASIS AND IS NOT TO BE USED IN ANY WAY DETRIMENTAL TO THE INTERESTS OF PANDUIT CORP.



PANDUIT PART NO.	MILITARY PART NO.	PLASTIC DIM. In (mm)				PANEL THICKNESS RANGE	WEIGHT lbs/100 (g) / pcs
		A +.015 -.005	B +.015 -.005	C +.015 -.005	D +.020 -.005		
GE52	MS21266-1N	.150 (3.81)	.056 (1.42)	.055 (1.40)	.100 (2.54)	.015-.052 (.38-1.32)	.64 (292)
GE85	MS21266-2N	.175 (4.45)	.090 (2.29)	.055 (1.40)	.100 (2.54)	.052-.085 (1.32-2.16)	.69 (312)
GE128	MS21266-3N	.220 (5.59)	.131 (3.33)	.055 (1.40)	.100 (2.54)	.085-.128 (2.16-3.25)	.82 (371)
GE192	MS21266-4N	.325 (8.26)	.195 (4.95)	.070 (1.78)	.160 (4.06)	.128-.192 (3.25-4.88)	1.69 (766)
GE255	MS21266-5N	.385 (9.78)	.260 (6.60)	.070 (1.78)	.170 (4.32)	.192-.255 (4.88-6.48)	1.93 (878)
GE318	MS21266-6N	.445 (11.30)	.320 (8.13)	.075 (1.91)	.180 (4.57)	.255-.318 (6.48-8.08)	2.23 (1,011)
GE380	MS21266-7N	.515 (13.08)	.390 (9.91)	.075 (1.91)	.180 (4.57)	.318-.380 (8.08-9.65)	2.56 (1,160)
GE510	MS21266-8N	.640 (16.26)	.515 (13.08)	.075 (1.91)	.180 (4.57)	.380-.510 (9.65-13.0)	2.99 (1,357)

NOTES:

- 1) PARTS CONFORM TO MILITARY SPECIFICATION MS21266.
- 2) SEE CURRENT PRICE SHEET FOR PART NUMBER SUFFIX DESIGNATION FOR PACKAGE SIZE.
- 3) COLOR--NATURAL.
- 4) PARTS ARE IDENTIFIED WITH MILITARY PART NUMBER.  
EXAMPLE: MS21266-1N
- 5) SLOTTED WALL NYLON EDGING SHOULD BE USED TO DRESS INSIDE PANEL CUT OUTS, AND IS NOT RECOMMENDED FOR OUTSIDE PANEL EDGES.

DIMENSIONS IN BRACKETS ARE METRIC [ mm ]  
CAD FILENAME/LAYERS G00239FC\_DC\_03A



GROMMET EDGING -- GE

REV	DATE	BY	CHK	DESCRIPTION	ECN	R	CUST	SUP
4	2/27/08	APW		CHANGED 'A', 'B' & 'C' TOLERANCE TO +.015 - .005	GB0239FC	4		
3	9-30-99	CGSM		CHANGED 'D' TOLERANCE TO +.020 / .005	GB0239FC	3		
2	1-29-99	SJSU		P/N CORRECTION, FROM GE519 TO GE510	GB0239FC	2		
1	8-5-98	CPE		ADDED NOTE #5 AND UPDATED FILE NAME	GB0239FC	1		
R	7-16-97	MLD		INITIAL RELEASE	GB0239FC	R		

UNLESS OTHERWISE SPECIFIED, DIMENSIONAL TOLERANCES ARE: (.X) ±0.05 (1.31) (.XXX) ±0.010 (0.25) (.XX) ±0.02 (0.5) ANGLES ± 5°		UNLESS OTHERWISE SPECIFIED, ALL DIMENSIONS ARE GIVEN IN INCHES, THIRD ANGLE PROJECTION.	
DRAWN BY MLD	MAT'L: NYLON 66		SCALE NONE
DATE 7-16-97			DRAWING NO. GB0239FC
CHK'D			DWG SIZE A