

JM SERIES

Circular Connectors

Meet JIS-C-5432

RE-16



JM Series circular connectors meet JIS-C-5432 and number of contacts are available in 3, 4, 5, 7, 10, 16, 24, 28 and 32.

This series can be used widely for all Kinds of industrial machinery and equipment including electronic equipment for connection of Cable-to-Cable as well as Cable-to-Panel.

Features

- Miniature and high-density

Small, light weight and high-density contact arrangements.

- Sure mating by use of 5 keys

Sure mating by use of 5 locating keys in the shell.

- Easy and speedy terminating

Easy terminating due to the design in which contact solder cup in the insert is arranged in the same direction.

- UL94V-O materials

- Dip soldering termination

Also available dip soldering tail for box receptacles.

Material/Finish

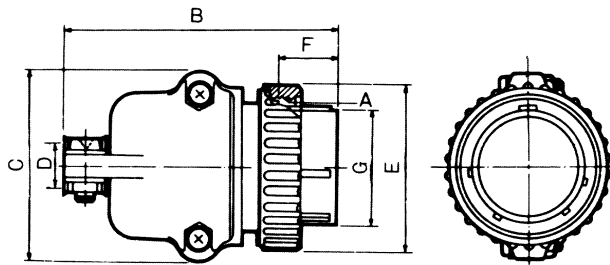
- **Insert**...PBT resin(UL94V-O)/Blue
- **Contact**..Copper alloy/Ag or Au plating
Ag plating is standard.
- **Shell**...Zinc/Black, anti-corrosive treatment
- **Hood**...ABS resin(UL94V-O7/Black
- **Cap**...Aluminum/Black, anti-corrosive treatment

Specifications

Voltage rating (Max.)		250V AC(RMS), 350V DC	
Current rating	Male contact dia.	1.0mm	1.6mm
	Current (Max.)	5A	10A
Applicable wire	Conductor dia.	1.0mm max.	1.5mm max.
	Conductor crossarea	0.5mm ² max.	1.25mm ² max.
Operating temperature		-25°C ~ +85°C	
Insulation resistance		1,000MΩ min. at 500V DC	
Dielectric withstanding voltage		1,000V AC(RMS) at sea level	
Contact resistance		5mΩ max. at 1ADC	
Vibration test		10-55Hz, Total amplitude: 1.5mm	
Shock test		Acceleration 50G	
Durability test		500 insertions and withdrawals	
Humidity test (Steady state)		40°C, RH90-95%, 96 hours	
Temperature cycle test		-40°C - +100°C, 5 cycles	
Salt spray test		Concentration: 5%, 35°C, 48 hours	

Configuration and Dimension

JMSP (Straight Plug) 5/3140 ÷ 5/3178



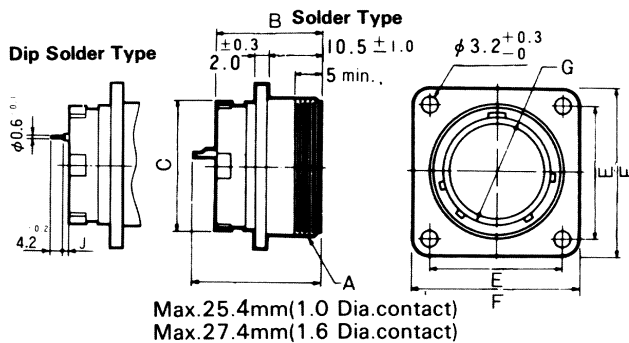
Dimensions

unit: mm

Shell size	Thread A	Overall length B max.	Width C max.	Cable Dia.		Outside Dia. E ± 1	Mating depth F ⁺⁰ / _{-0.8}	Outer Dia. G ⁺⁰ / _{-0.2}
				D				
				max.	min.			
13	M18×1	46.5	26.5	8.0	3.0	21	11.2	12.7
16	M22×1	48.8	30.5	9.0	3.0	25	11.2	16.3
21	M26×1	51.8	34.0	12.0	8.0	29	11.2	20.5
25	M30×1	54.1	37.5	15.0	9.6	33	11.2	24.7

*The shell size 25 is also available in extended type of the cable hood with the overall length (B) as 70.1mm.

JMR (Box Receptacle) 5/3100 ÷ 5/3138

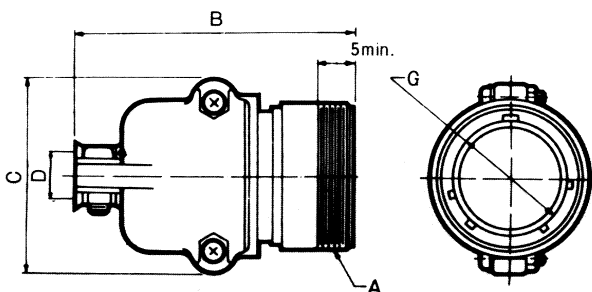


Dimensions

Unit: mm

Shell size	Thread A	Overall length B max.	Width C ± 0.3	Mounting holes position E ± 0.2	F F ± 0.5	Inner Dia. G ^{+0.2} / ₀	Dip Solder Tail J ± 0.5
16	M22×1	20.4	20	23	29	16.6	2.5
21	M26×1	20.4	24	26	32	20.8	2.5
25	M30×1	21.6	28	29	35	25.0	1.3

JMCR (Cable Receptacle) 5/3180 ÷ 5/3218



Dimensions

unit: mm

Shell size	Thread A	Overall length B max.	Width C max.	Cable Dia.		Inner Dia. G ^{+0.2} / ₀
				D		
				max.	min.	
13	M18×1	46.5	26.5	8.0	3.0	13.0
16	M22×1	48.8	30.5	9.0	3.0	16.6
21	M26×1	51.8	34.0	12.0	8.0	20.8
25	M30×1	54.1	37.5	15.0	9.6	25.0

*The shell size 25 is also available in extended type of the cable hood with the overall length (B) as 70.1mm.

Number of Contacts	3	4	5	7		10
Shell Size	13	21	13	16	21	16
Arrangements						
Insert No.	1303	2104	1305	1607	2107	1610
Number of Contacts	10	16		24	28	32
Shell Size	21	21	25	25	25	25
Arrangements						
Insert No.	2110	2116	2516	2524	2528	2532

○.....φ1.0mm Male contact ●.....φ1.6mm Male contact Note. Front face of male insert shown (for normal position)

P.C.B. Mounting Holes for JMR dip soldering type Dip soldering type receptacles are to be soldered mating with the plug connectors.

