

1

2

3

4

5

6

7

A

A

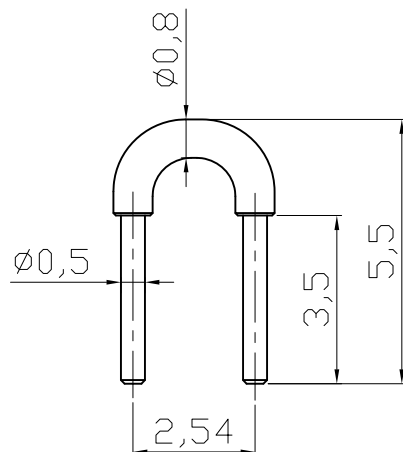
Material: Brass
Plating: Au over Ni

B

B

C

C



D

D

E

E

F

F

G

RoHS compliant

G

H

H

Scale	1:1						Date	Name	Customer-No.
TOLERANCE						Drawn	09.09.2009	Dean	
X.	±X					Approved	09.09.2009	Hellwig	ASSMANN WSW-No.
X.X	±X								AB 7
X.XX	±X								
DIM	TOL								Drawing-No.
X.°	±X°								ASS 3693 CO
X.X°	±X°	①	Drawn	09.09.2009	Dean				rev01
Angle	TOL	Id.	Modification	Date	Name			Replace	Sheet

1

2

3

4

5

6

7