



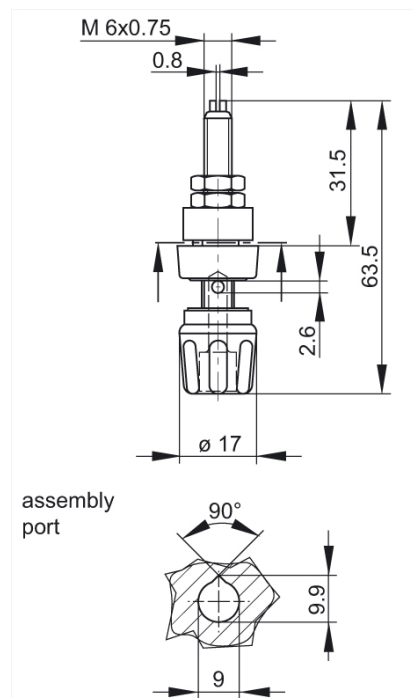
PKNI 20 B schwarz/black

Industrial Connectors:Measuring and Testing Equipment:Sockets:4 mm system

Product description

Description	Pole terminal with claw edge, captive insulated head and insulated ring. 6 mm diameter nickel-plated brass threaded bolt with 2.6 mm diameter transverse hole. For insulated non-rotating installation in equipment chassis and switch panels up to 3.5 mm wall thickness.
Type	PKNI 20 B schwarz/black
Order No.	930 144-100
System	4 mm system
Housing Color	black
Color types	●●
Other standard types	red color, order no. 930 144-101

Drawing



Technical data

Type of contact	socket
Type of termination	M 6 thread
Rated voltage	DC 60 V
Rated current	63 A
Contact resistance	2 mOhm
Mounting	screw

Material

Contact material	brass
Contact surface material	nickel-plated
Housing material	PF
Environmental conditions	
Temperature range	-25 °C to +100 °C
Inflammability class	
Housing	94 V-0